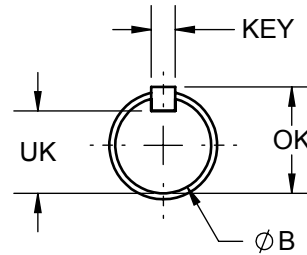
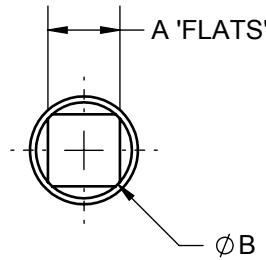
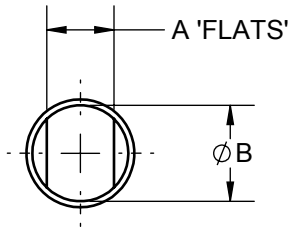


FILL OUT AS MUCH INFO AS POSSIBLE. TAKE NOTE OF ANY ADDITIONAL OBSTRUCTIONS THAT NEED TO BE CLEARED.

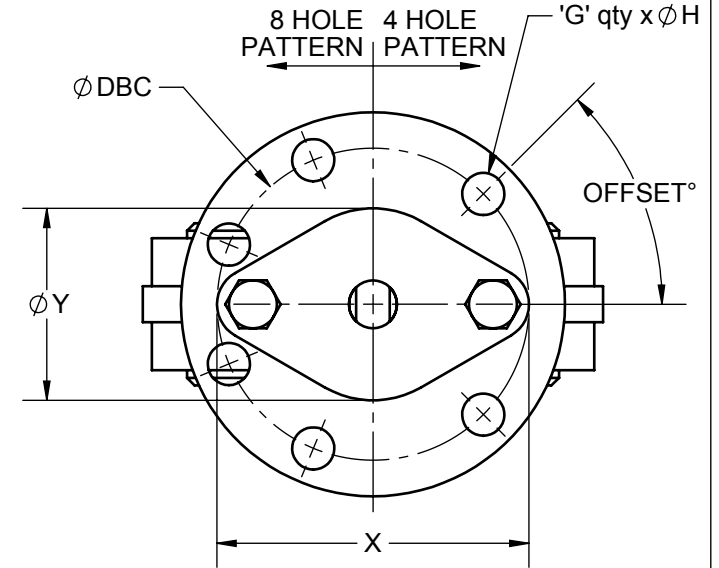
<input type="checkbox"/> DOUBLE-D STEM	
A 'FLATS'	
ϕB	

<input type="checkbox"/> SQUARE STEM	
A 'FLATS'	
ϕB	

<input type="checkbox"/> KEYED STEM	
ϕB	
KEY	
OVER-K	
UNDER-K	

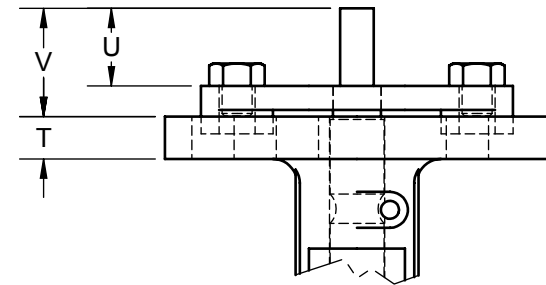


IF THE VALVE STEM ISN'T INLINE WITH THE FLOW OF THE VALVE AS SHOWN, PLEASE SPECIFY AN ANGULAR OFFSET!



NOTHING SIMILAR TO WHAT'S SHOWN? PROVIDE A NICE SKETCH BELOW.

HOLE PATTERN. IF 'T' IS TAPPED, SPECIFY THREAD.	
DBC	
OFFSET°	
G	
H	
PACKING GLAND? <input type="checkbox"/> YES <input type="checkbox"/> NO	
X	
Y	
T	
U	
V	



PROPRIETARY & CONFIDENTIAL:
THIS DRAWING AND ITS INFORMATION ARE THE EXCLUSIVE AND CONFIDENTIAL PROPERTY OF MILL-RITE INCORPORATED AND ARE NOT TO BE DISCLOSED, DUPLICATED, DISTRIBUTED OR OTHERWISE USED WITHOUT THE WRITTEN CONSENT OF MILL-RITE. ALL RIGHTS RESERVED.



DWN BY	MONROE D.	4/10/2015	
CHK BY	MONROE D.	4/10/2015	

TOLERANCES UNLESS OTHERWISE SPECIFIED	
X.X	$\pm .03$ UP TO 30 ± 0.5
X.XX	$\pm .01$ 30-120 ± 1.5
X.XXX	$\pm .005$ OVER 120 ± 4
FRACTIONAL	$\pm 1/32$ MACHINED SURFACES:
ANGLE	$\pm 5^\circ$ #error: broken link OR BETTER

BUTTERFLY VALVE DIMENSIONAL INFO	
SIZE/DWG. NO.	REV.
A	
SCALE:1:2	DO NOT SCALE SHEET 1 OF 1